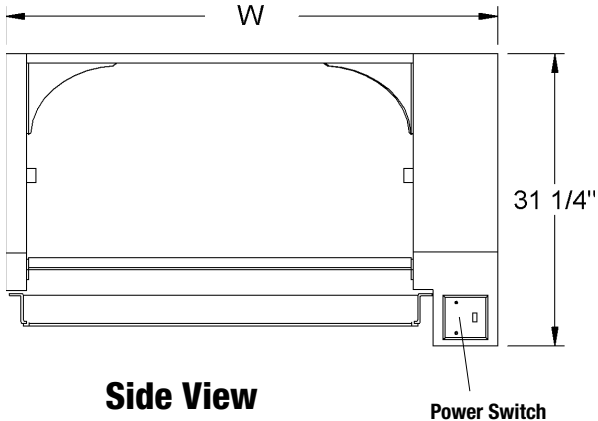


## OKANOGAN

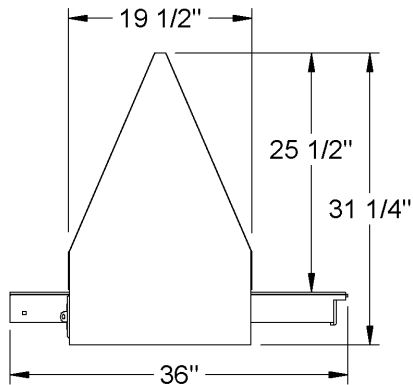
Single Spit Rotisserie



### Front View



### Side View



Model #	Width
WS-SSR-45	53.5"
WS-SSR-57	66"

Note: the Rotisserie is about 9 inches wider than the Charbroiler upon which it is set.

Total height of unit with 45-inch or 57-inch Charbroiler is 66 inches.

**Unit Shipping Weight 300 lbs.**

<b>Job Name</b>	
<b>Model</b>	WS-SSR
<b>Item#</b>	
<b>Fuel Type</b>	<b>Use with Solid Fuel Charbroiler</b>



Shown with optional pan rails and Multi Skewer Drum Assembly.

The Okanogan Single Spit Rotisserie is an option for our Mt. St. Helens and Mt. Shuksan solid fuel Charbroilers. The Rotisserie mounts directly to the Charbroiler (45-inch and 57-inch Mt. St. Helens, 46-inch and 58-inch Mt. Shuksan). It rides on a rail system that allows the Rotisserie to be pushed to the back of the broiler for Rotisserie cooking of product, or pulled to the front of the broiler, for easy loading and unloading. The Okanogan Single Spit Rotisserie increases food production from the broiler without increasing fuel consumption; the same fire is used to generate coals for the firebox and to cook food items on the spit.

The Okanogan is designed to accept all current Wood Stone Rotisserie baskets and spits. The unit comes ready to plug into a standard 120 volt outlet.

See the **Rotisserie Accessories** page for a variety of spit options.



An ongoing program of product improvement may require us to change specifications without notice.  
Revised October 2008

**WOOD STONE CORPORATION**  
1801 W. Bakerview Rd.  
Bellingham, WA 98226 USA

Toll Free (800) 988-8103  
Tel (360) 650-1111  
Fax (360) 650-1166

[info@woodstone-corp.com](mailto:info@woodstone-corp.com) or visit [www.woodstone-corp.com](http://www.woodstone-corp.com)

*This page intentionally left blank >*