

Wood Stone



TANDOOR 31"

Gas-Fired Tandoor



Job Name	
Model	WS-GFT-31
Item#	
Fuel Type	Gas-Fired

OPTIONAL ACCESSORIES

- Available in Round, Square and Octagonal models
- Stainless Steel Tools
- Caster Riser Assembly to enable installation into a 914 mm tall cooking suite

NATURAL GAS (METHANE)

I_{2H(20)} for use in: AT, DK, ES, FI, IE, IT, PT, GB, SE, CH, GR, EE, LV, SI, CR, SK, and CZ

I_{2L(25)} for use in: NL and HU

I_{2HS(25)} for use in: HU

I_{2ELL(20)} for use in: DE

I_{2E(20)} for use in: DE and PL

PROPANE and PROPANE BLENDS

I_{3B/P (28-30/37/50)} for use in: BE, ES, FR, IE, IT, PT, GB, CR, GR, and CH and CY

I_{3P(30/37/50)} for use in: BE, DE, ES, FR, IR, IE, NL, PT, GB, IS, GR, CY, EE, HU, LV, MT, SI, and CH

The Wood Stone gas-fired Tandoor utilizes an interior cooking vessel which is cast from the same ultra-strong, high temperature ceramic technology that we use for our stone hearth ovens.

This interior cooking unit has a 330 mm opening and is encased in an insulated, stainless steel cabinet. The Tandoor is topped with Zodiaq (a quartz composite by Dupont). The entire unit sits on heavy-duty casters.

The gas burner uses a pilot safety valve, equipped with a Piezo-Electric ignition system. The heat output of the burner can be adjusted from its highest setting to completely turned off (or any setting in between), by turning the throttle control knob which is conveniently located on the top of the unit.

The Tandoor comes with a lightweight, ventilated lid for faster heat-up. A removable drip/debris pan is located beneath the unit.

The Wood Stone Tandoor can be configured to burn Natural gas or Propane; *this should be specified at the time of order*. Restraint anchors for a flexible gas supply line restraining cable are located beneath the unit. The 787 mm round footprint of this unit makes it easy to fit through standard doors and into an existing cook line.

The unit may be ordered with a caster riser assembly to increase the height of the Tandoor to 914 mm, to enable easy installation into a cooking suite.



An ongoing program of product improvement may require us to change specifications without notice.
Revised October 2009

WOOD STONE CORPORATION
1801 W. Bakerview Rd.
Bellingham, WA 98226 USA

Toll Free (800) 988-8103
Tel (360) 650-1111
Fax (360) 650-1166

info@woodstone-corp.com or visit www.woodstone-corp.com



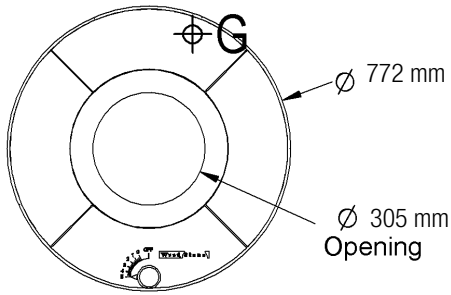
TANDOOR 31"

Gas-Fired Tandoor

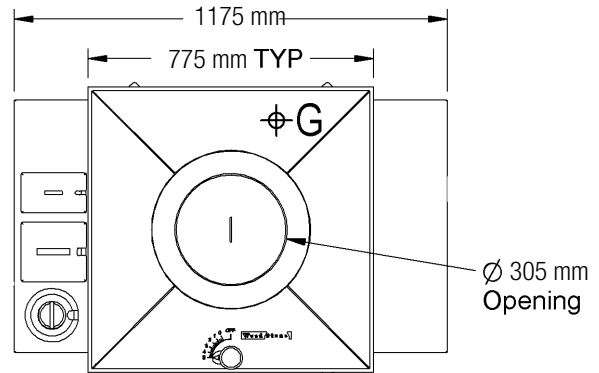
Model

WS-GFT-31

Top View (Round Model)

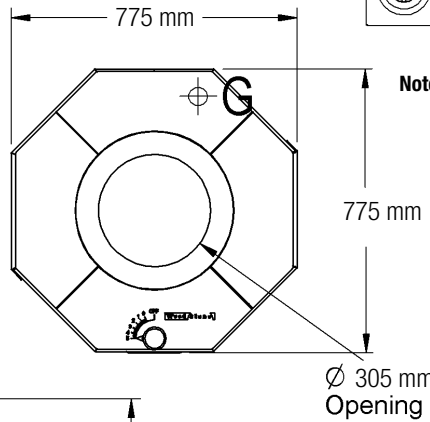


Top View (Square Model)

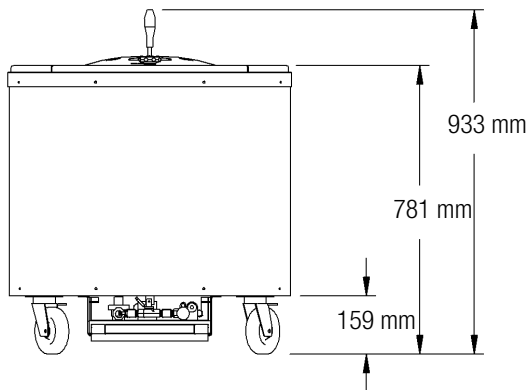


Note: Square model shown with optional shelves and pan rails

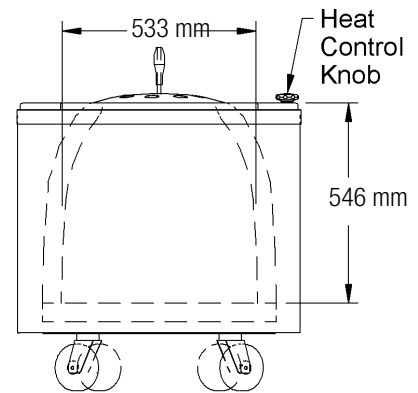
Top View (Octagonal Model)



Front View



Side View



Declared Input (kW)

Model	I _{2H} , I _{2L} and I _{2E}	I _{3P}	I ₃₊ and I _{3B/P}
WS-GFT-31	11.7 kW	11.7	14.2 kW

Unit Shipping Weight: 340 Kg

EN 437 Gas Group	I _{2H}	I _{2L}	I _{2E}	I ₃₊	I _{3B/P}	I _{3B/P(50)}	I _{3P}
Inlet Pressure (mbar)	20	25	20	28-30/37	28-30/37	50	30/37/50
Declared Pressure at Gas Valve Outlet (mbar)	10	10	10	25	25	25	25



359BN748



An ongoing program of product improvement may require us to change specifications without notice.
Revised October 2009

WOOD STONE CORPORATION

1801 W. Bakerview Rd.
Bellingham, WA 98226 USA

Toll Free (800) 988-8103

Tel (360) 650-1111

Fax (360) 650-1166

info@woodstone-corp.com or visit www.woodstone-corp.com