

# Wood Stone



Right-hand configuration shown with optional stainless steel storage box.

## Hearth Capacity

|            |    |
|------------|----|
| 8" pizzas  | 16 |
| 10" pizzas | 10 |
| 12" pizzas | 6  |
| 16" pizzas | 4  |

Assuming 5-minute cook times, the approximate maximum hourly production capacity can be calculated by multiplying the above numbers by 12.

## OPTIONAL ACCESSORIES

- Decorative Flame
- Stainless Steel Storage Boxes
- Stainless Steel Oven Tool Set (with stainless steel hangers)
- Stack-Mounted Exhaust Fan
- Custom Oven-Mounted Exhaust Hood
- Temporary Rigging Casters
- Configured for Wood Burning (Wood burning models must be vented for solid fuel)
- Wood Stone also carries a full line of accessories for stone hearth cooking
- Prepared for Facade Application

## FIRE DECK 6045

Stone Hearth Deck Oven



### Job Name

### Model

WS-FD-6045

### Item#

### Fuel Type

Gas-Fired or Multi Fuel

The Fire Deck 6045 features a standard door opening 34 inches wide x 10 inches high. The cooking surface is 40 inches wide, and 34 inches deep, resulting in 9 square feet of usable deck space. The dense, high temperature ceramic formulation of which the hearth and dome are cast creates a "deep heat sink" within the chamber of the oven. The chef is protected from the heat of the chamber by the ceramic glass door/heat shield. The heat shield glides smoothly and easily using a simple counterweight, and can be safely left in any position. Whether it is open or closed, the operator and the customers can see into the brightly illuminated chamber. The Fire Deck is unique among deck ovens in that the oven operates efficiently with the door open or closed.

The Fire Deck 6045 is available in a variety of burner and fuel configurations. The standard unit has a manually adjustable wall of radiant flame on one side of the oven chamber (specify right or left at time of order), as well as a thermostatically controlled gas infrared burner beneath the oven deck. Either or both of these burners can be omitted to accommodate the use of wood as a fuel source.

The 750-pound, monolithic, cast-ceramic floor sits on 4 inches of rigid insulation and is poured to a thickness of 4 inches. The 950-pound, monolithic dome is also cast to a thickness of 4 inches. The hearth and dome are connected by a carefully tensioned steel exoskeleton, which ensures structural integrity and long life. The oven's ceramic dome is wrapped with at least 2 inches of spun ceramic fiber insulation and enclosed (top and sides) with 16-gauge galvanized steel. The body of the oven rests on a 10-gauge steel pan welded to a heavy-duty stand, coated with a durable black finish. The upper face of the oven body is finished in stainless steel.

A stainless steel storage compartment is optional and can be provided in the support frame. The oven arrives completely assembled and may be accompanied by a set of temporary rigging casters (optional) to aid in moving the oven into place.

The Fire Deck must be vented using a Type 1 exhaust hood, or one constructed in accordance with NFPA 96 and all relevant local and national codes. Ovens with a -W in the model number must be vented as a solid fuel appliance. The oven must be vented in accordance with all relevant local and national codes and in a manner acceptable to the authority having jurisdiction. The oven is approved to be installed with a minimum 1-inch side clearance to combustible construction.



**Wood Stone**

An ongoing program of product improvement may require us to change specifications without notice.  
Revised July 2010

### WOOD STONE CORPORATION

1801 W. Bakerview Rd.  
Bellingham, WA 98226 USA

Toll Free (800) 988-8103

Tel (360) 650-1111

Fax (360) 650-1166

[info@woodstone-corp.com](mailto:info@woodstone-corp.com) or visit [www.woodstone-corp.com](http://www.woodstone-corp.com)

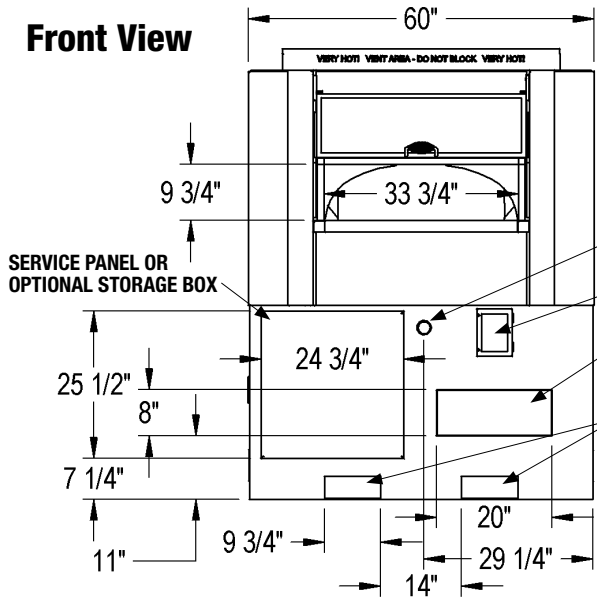


# FIRE DECK 6045

Stone Hearth Deck Oven

Model  
**WS-FD-6045**

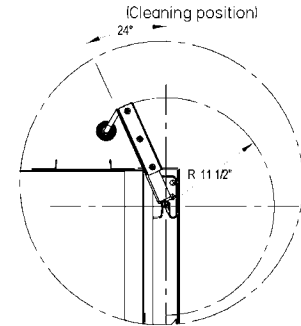
## Front View



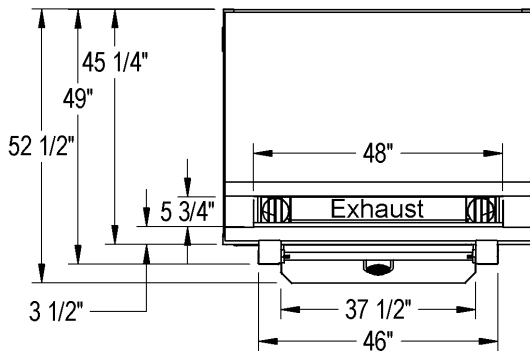
### VERY IMPORTANT!!

This oven is available in a left or right configuration. The configuration corresponds to the location of the radiant flame. The figures on this page show a LEFT-hand configuration. Everything about a RIGHT-hand configured Fire Deck 6045 will be a mirror image of the LEFT-hand version, except the utility connections, which will always be on the left (as shown).

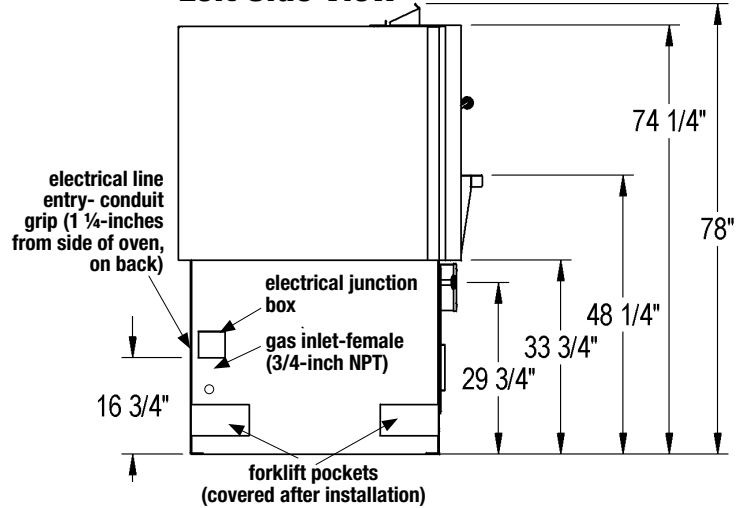
### Heat Shield Swing Detail



## Top View



## Left Side View



### UTILITIES REQUIRED

- 120 VAC/ 4 AMP electrical connection
- 135,000 BTU Natural Gas supply  
OR  
125,000 BTU Propane (LP) supply  
*The oven's gas inlet is 3/4" N.P.T. Female*
- Decorative Flame Burner adds 15,000 BTU's

BTU output per burner

### Natural Gas Propane

|                        |        |        |
|------------------------|--------|--------|
| Radiant (flame) Burner | 90,000 | 75,000 |
| IR Burner              | 45,000 | 50,000 |
| Decorative Flame       | 15,000 | 15,000 |

### VENTING INFORMATION

Must be installed under a Listed Type 1 exhaust hood, or a hood constructed and installed in accordance with NFPA 96 and all relevant local and national codes.

**Unit Shipping Weight: 3,200 lbs.**

| Guide to Fire Deck Model #s | Underfloor IR Burner | Left-side Flame Burner | Right-side Flame Burner | Wood Fire Optional | Wood Fire Mandatory | Natural Gas | Liquid Propane |
|-----------------------------|----------------------|------------------------|-------------------------|--------------------|---------------------|-------------|----------------|
| WS-FD-6045-RFG-L-IR         | X                    | X                      |                         | -W                 |                     | NG          | LP             |
| WS-FD-6045-RFG-R-IR         | X                    |                        | X                       | -W                 |                     | NG          | LP             |
| WS-FD-6045-W-IR             | X                    |                        |                         |                    | X                   | NG          | LP             |
| WS-FD-6045-W                |                      |                        |                         |                    | X                   |             |                |



**Wood Stone**

An ongoing program of product improvement may require us to change specifications without notice.  
Revised July 2010

### WOOD STONE CORPORATION

1801 W. Bakerview Rd.  
Bellingham, WA 98226 USA

info@woodstone-corp.com or visit [www.woodstone-corp.com](http://www.woodstone-corp.com)

Toll Free (800) 988-8103

Tel (360) 650-1111

Fax (360) 650-1166