

# Wood Stone



## FIRE DECK 11260

Stone Hearth Deck Oven



<b>Job Name</b>	
<b>Model</b>	WS-FD-11260
<b>Item#</b>	
<b>Fuel Type</b>	<b>Gas-Fired or Multi Fuel</b>

### Hearth Capacity

8" pizzas	50
10" pizzas	32
12" pizzas	18
16" pizzas	10
18" or 20" pizzas	8

Assuming 5-minute cook times, the approximate maximum hourly production capacity can be calculated by multiplying the above numbers by 12.

### OPTIONAL ACCESSORIES

- Decorative Flame
- Stainless Steel Storage Boxes
- Stainless Steel Oven Tool Set (with stainless steel hangers)
- Stack-Mounted Exhaust Fan
- Custom Oven-Mounted Exhaust Hood
- Temporary Rigging Casters
- Wood Burning Option  
(Must be vented for solid fuel)
- Prepared for facade application
- Coal Burning Option  
(Must be vented for solid fuel)
- Wood Stone also carries a full line of accessories for stone hearth cooking

The Fire Deck 11260 features a standard door opening 54 inches wide x 10 inches high. The cooking surface is 82 inches wide, and 46 inches deep, resulting in 26 square feet of usable deck space. The dense, high temperature ceramic formulation of which the hearth and dome are cast creates a "deep heat sink" within the chamber of the oven. The Fire Deck is unique among deck ovens in that it can easily accommodate six 20 inch pizzas, or 6 full sized sheet pans.

The Fire Deck is available in a variety of burner and fuel configurations. The standard unit has two manually adjustable walls of radiant flame (one at each end), as well as a thermostatically controlled gas infrared burner beneath the oven deck. Alternatively, either of the radiant flame burners can be omitted to accommodate the use of wood as a fuel source. The ovens are constructed so that future addition of any burner (previously omitted) is possible.

The 1,725-pound, monolithic, cast-ceramic floor sits on 4 inches of rigid insulation and is poured to a thickness of 4 inches. The 2,100-pound, monolithic dome is also cast to a thickness of 4 inches. The hearth and dome are connected by a carefully tensioned steel exoskeleton, which ensures structural integrity and long life. The oven's ceramic dome is wrapped with at least 2 inches of spun ceramic fiber insulation and enclosed (front, top and sides) with 16-gauge galvanized steel. The body of the oven rests on a 10-gauge steel pan welded to a heavy-duty frame. The oven arrives completely assembled and may be accompanied by a set of temporary rigging casters (optional) to aid in moving the oven into place.

The combustion products of the gas and/or wood used to fuel the oven vent through a 12 inch O.D. flue collar located above the doorway. The Fire Deck 11260 can be direct connected to a power-ventilated, grease-rated chimney, or it can be vented using a Listed Type 1 exhaust hood or one constructed in accordance with NFPA 96 and all relevant local and national codes.

**IMPORTANT** - Ovens with model numbers containing a -W must be vented as a solid fuel appliance. The oven can be installed with only 1-inch side clearance to combustible construction.



An ongoing program of product improvement may require us to change specifications without notice.  
Revised September 2009

**WOOD STONE CORPORATION**  
1801 W. Bakerview Rd.  
Bellingham, WA 98226 USA

Toll Free (800) 988-8103  
Tel (360) 650-1111  
Fax (360) 650-1166

[info@woodstone-corp.com](mailto:info@woodstone-corp.com) or visit [www.woodstone-corp.com](http://www.woodstone-corp.com)



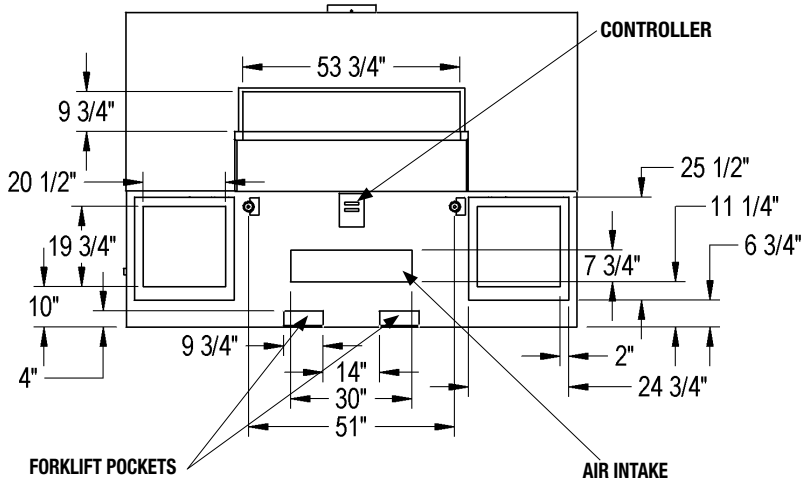
# FIRE DECK 11260

Stone Hearth Deck Oven

Model

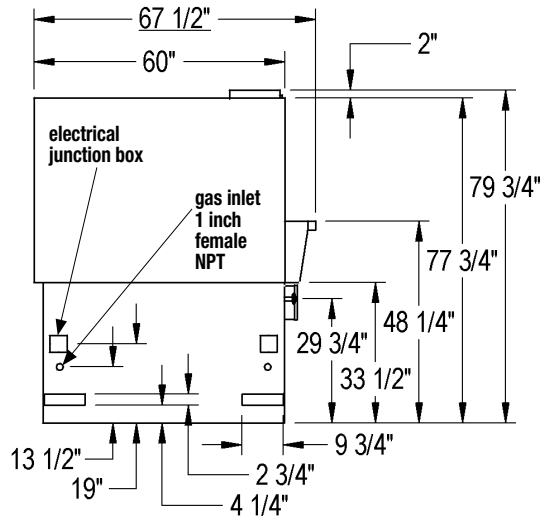
WS-FD-11260

## Front View

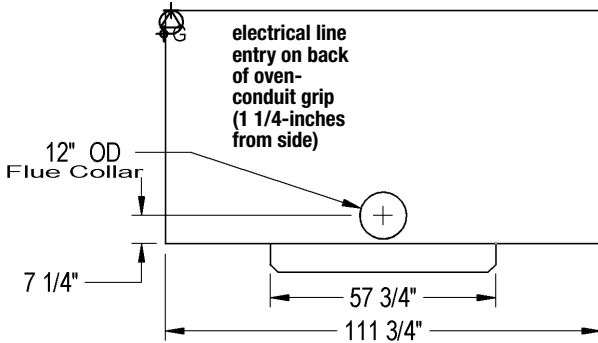


Optional storage boxes shown. Standard access panels correspond to outer dimensions of the storage boxes. All storage boxes and/or access panels must remain easily removable after installation.

## Side View



## Top View



### Guide to Fire Deck Model #s

	Underfloor IR Burner	Left-side Flame Burner	Right-side Flame Burner	Wood Fire Optional	Wood Fire Mandatory	Natural Gas	Liquid Propane
WS-FD-11260-RFG-L/R-IR	X	X	X			NG	LP
WS-FD-112600-RFG-L-IR	X	X		-W		NG	LP
WS-FD-11260-RFG-R-IR	X		X	-W		NG	LP
WS-FD-11260-W-IR	X				X	NG	LP
WS-FD-11260-W					X		

### UTILITIES REQUIRED

- 120 VAC/ 4 AMP electrical connection
- 350,000 BTU Natural Gas supply  
OR  
350,000 BTU Propane (LP) supply  
*The oven's gas inlet is 1" N.P.T. Female*

### VENTING INFORMATION

The Fire Deck 11260 can be direct connected to a power-ventilated, grease-rated chimney or can be vented with a Listed Type 1 exhaust hood, or one constructed in accordance with NFPA 96 and all relevant local and national codes. The oven must be vented in accordance with all relevant local and national codes, and in a manner acceptable to the authority having jurisdiction.

**IMPORTANT** - Ovens with model numbers containing a -W must be vented as a solid fuel appliance.

**Unit Shipping Weight: 6,800 lbs.**



An ongoing program of product improvement may require us to change specifications without notice.  
Revised September 2009

### WOOD STONE CORPORATION

1801 W. Bakerview Rd.  
Bellingham, WA 98226 USA

info@woodstone-corp.com or visit [www.woodstone-corp.com](http://www.woodstone-corp.com)

Toll Free (800) 988-8103

Tel (360) 650-1111

Fax (360) 650-1166