

# Wood Stone

## VASHON

Stone Hearth Oven



<b>Job Name</b>	
<b>Model</b>	WS-IS-VA-CT
<b>Item#</b>	

Wood Stone's Vashon Stone Hearth Countertop Oven opens up even more possibilities for using stone hearth cooking in your foodservice operation.

The Vashon is presented in a sealed chamber with a beautiful live flame. This electric oven with a gas display flame offers the simplicity of a standard oven with the visual and cooking advantages of a stone hearth oven.

The Vashon is engineered and designed to fit on compact countertop spaces and measures 30 inches wide, 32 inches tall and 27 inches deep. The ceramic cooking surface measures 19.5 inches wide and 14.5 inches deep and can be used to prepare fresh or frozen pizza, hot sandwiches, appetizers and more. The Vashon has a maximum operating temperature of 550 degrees Fahrenheit.

All of these features while incorporating the beautiful display of a live flame and the flavor profiles that can only be obtained with a stone hearth oven.

### Hearth Capacity

8" pizzas	2
10" pizzas	2
12" pizzas	1
14" pizzas	1

### FEATURES

- Live flame
- Compact size
- Cooks like a stone hearth oven
- No external venting system required
- Even cooking environment
- Rapid heat up time
- Programmable control panel
- Simple operation
- Ceramic floor construction
- Fully ETL Listed



An ongoing program of product improvement may require us to change specifications without notice.  
Revised April 2010

**WOOD STONE CORPORATION**  
1801 W. Bakerview Rd.  
Bellingham, WA 98226 USA

Toll Free (800) 988-8103  
Tel (360) 650-1111  
Fax (360) 650-1166

[info@woodstone-corp.com](mailto:info@woodstone-corp.com) or visit [www.woodstone-corp.com](http://www.woodstone-corp.com)



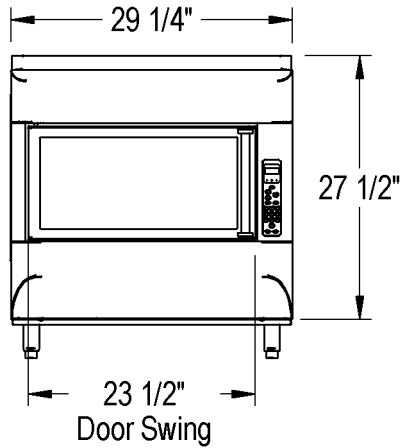
**VASHON**

Stone Hearth Oven

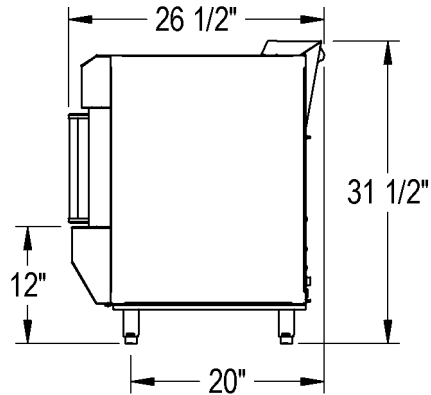
Model

**WS-IS-VA-CT**

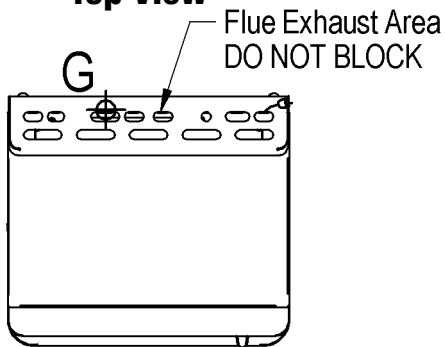
**Front View**



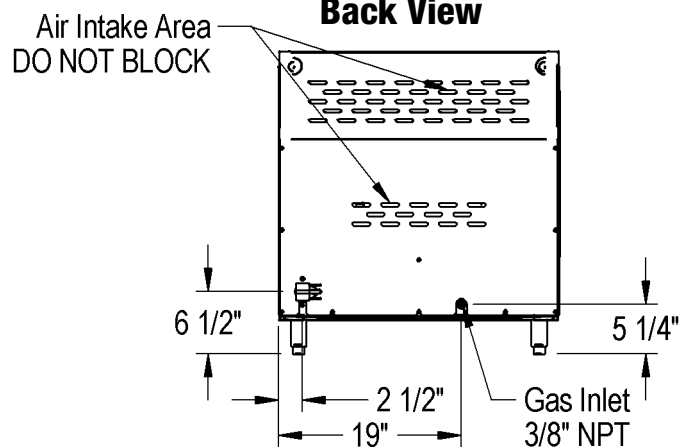
**Side View**



**Top View**



**Back View**



**UTILITIES SPECIFICATIONS**

**Gas-** 3/4 inch gas inlet (female threaded)  
**Input Rating:** 9,000 BTU/hr Natural Gas Supply  
**Manifold Pressure:** 3.5 w.c.  
**Supply Pressure-**  
 Nominal: 7.0" w.c.  
 Minimum: 4.5" w.c.  
 Maximum: 10.5" w.c.  
 OR  
**Propane-**  
**Input Rating:** 7,500 BTU/hr Propane (LP) Supply  
**Manifold Pressure:** 10.0" w.c.

**Supply Pressure-**  
 Nominal: 11.0" w.c.  
 Minimum: 11.0" w.c.  
 Maximum: 13.0" w.c.

**Electrical**

**Oven is configured to run on:**  
 208/240 VAC, 40 amp, 50/60 Hz  
 A 2 wire with ground, single phase. A NEMA 6-50P range cord is provided with the oven.  
 Connect to an individual branch circuit rated at 40 amps.

**VENTING INFORMATION**

No venting system required.

**CLEARANCES**

0" side clearance  
 0" back clearance  
 18" top clearance

**Unit Shipping Weight: 300 lbs.**



An ongoing program of product improvement may require us to change specifications without notice.  
 Revised April 2010

**WOOD STONE CORPORATION**

1801 W. Bakerview Rd.  
 Bellingham, WA 98226 USA

Toll Free (800) 988-8103

Tel (360) 650-1111

Fax (360) 650-1166

[info@woodstone-corp.com](mailto:info@woodstone-corp.com) or visit [www.woodstone-corp.com](http://www.woodstone-corp.com)