

## ROBATA GRILL

Solid Fuel Robata Charbroiler



### OPTIONAL ACCESSORIES

**Stainless Steel Shelves:** (Shown on the unit)  
Stainless steel shelves and pan rails are available. Two shelves and/or pan rails can be mounted on the front and sides of the charbroiler.

**Stainless Steel Ash Dolly:** Wood Stone's double compartment, locking ash dolly provides a means for safe, clean ash storage and disposal.

### Stainless Steel Wood Storage Cart:

Wood storage carts can be shipped with the Robata Grill



### Wood Moisture Meter:

Eliminate the problem of wet fuelwood with Wood Stone's Mini Ligno E portable moisture meter.



### Satay (Saté) Grill:

Add the optional Satay Shelf and turn the Robata into a Satay Grill, perfect for Indonesian, Malaysian and other Southeast Asian Cuisine.



<b>Job Name</b>	
<b>Model</b>	WS-SFB-ROB
<b>Item#</b>	
<b>Fuel Type</b>	<b>Solid Fuel</b>



Shown with optional shelves and pan rails

The Robata charbroiler features a "heat-sink" style firebox cast from dense, durable high-temperature ceramic. The firebox (24 inches deep front to back) is designed to store and radiate heat evenly. The lower grill is composed of three 8-inch x 15-inch cube style cast iron grates which rest on our unique warp-resistant, stainless steel frame system. The entire grill frame slides toward the front or back of the unit to facilitate easy fire access. The upper tier is composed of individual perforated stainless steel shelves for warming, holding or slow cooking. A blazing fire along the rear of the firebox will produce coals, which when pulled forward, will keep the entire firebox saturated with heat. The design allows for traditional Robata style cooking with real solid fuel flavor and the excitement of a live fire.

The insulated firebox is mounted on top of a stainless steel wood storage cabinet. The unit comes standard on 4 heavy-duty, swiveling casters (2 with locking brakes). An ash shovel and coal/grate tool are included with the charbroiler.



An ongoing program of product improvement may require us to change specifications without notice.  
Revised August 2009

**WOOD STONE CORPORATION**  
1801 W. Bakerview Rd.  
Bellingham, WA 98226 USA

Toll Free (800) 988-8103  
Tel (360) 650-1111  
Fax (360) 650-1166

[info@woodstone-corp.com](mailto:info@woodstone-corp.com) or visit [www.woodstone-corp.com](http://www.woodstone-corp.com)



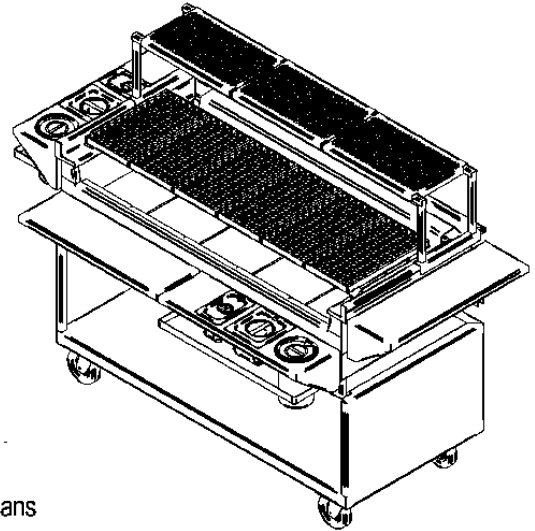
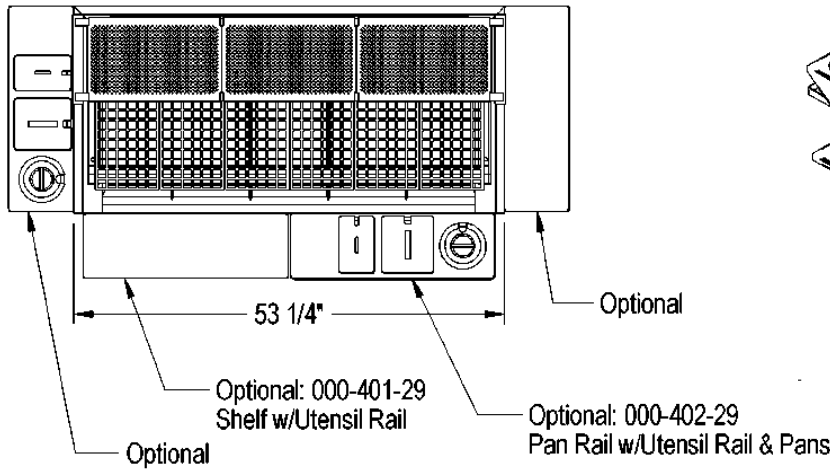
# ROBATA GRILL

Solid Fuel Charbroiler

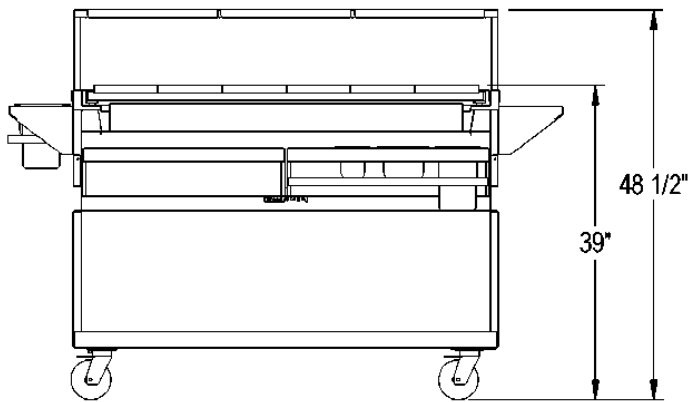
Model

WS-SFB-ROB

## Top View

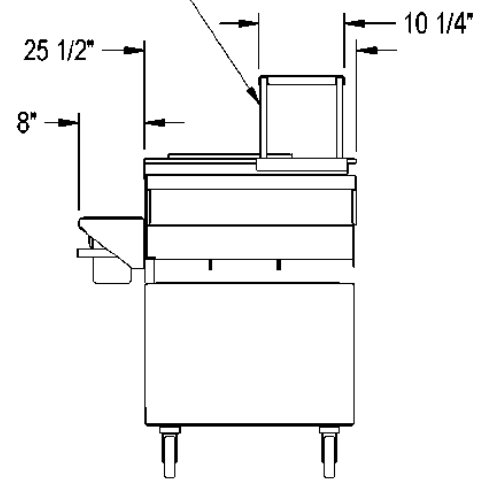


## Front View



Optional: 000-ROB-Shelf Robata Shelf

## Side View



**All units shown with optional stainless steel shelves and pan rails**



**WoodStone**

An ongoing program of product improvement may require us to change specifications without notice.  
Revised August 2009

**WOOD STONE CORPORATION**  
1801 W. Bakerview Rd.  
Bellingham, WA 98226 USA

Toll Free (800) 988-8103  
Tel (360) 650-1111  
Fax (360) 650-1166

[info@woodstone-corp.com](mailto:info@woodstone-corp.com) or visit [www.woodstone-corp.com](http://www.woodstone-corp.com)