



The SG-BDL-O-WS ventilator is manufactured by Gaylord Industries specifically for Wood Stone ovens. The eyebrow-type hood mounts directly on top of the oven, over the flue collar and overhangs the oven doorway. This ventilator is designed to capture all the solid fuel exhaust from the oven flue collar and also to draw warm air away from the front of the oven. The hood comes complete with a pre-drilled mounting flange and all the hardware necessary for mounting the hood to the top of the oven.

The hood is constructed of 18-gauge stainless steel and is equipped with baffle-type filters for removal of grease from the exhaust stream. The Wood Stone SG-BDL-O-WS is listed by UL, ULC and NSF. Its construction meets the requirements of NFPA-96 as well as those of all national mechanical codes. Spark arrestor filters are available as an option and must be used in all solid fuel installations.

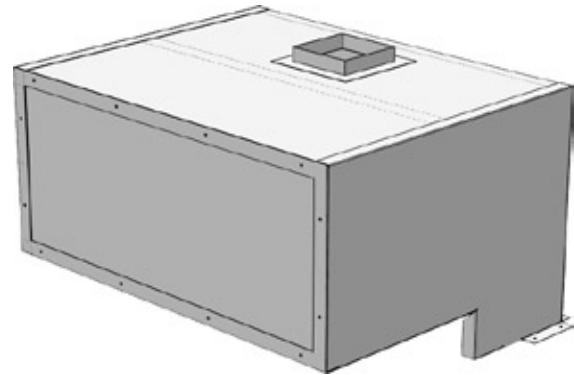
The hood can be used in conjunction with one of Wood Stone's variable-speed exhaust fans (See the *Exhaust Fan Spec Sheet*) to create a very effective and responsive exhaust system. All duct work beyond the ventilator duct take-off collar is to be provided and installed by others in accordance with applicable codes.

All hoods are pre-piped for ANSUL R-102 Fire Suppression.

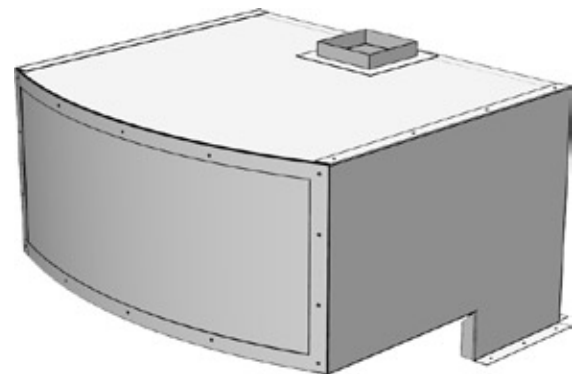
Job Name	
Model	
Item#	

OPTIONS

- Flat Front or Curved Front Design
- Solid Brass Trim



FLAT FRONT DESIGN



CURVED FRONT DESIGN



An ongoing program of product improvement may require us to change specifications without notice.
Revised August 2008

WOOD STONE CORPORATION
1801 W. Bakerview Rd.
Bellingham, WA 98226 USA

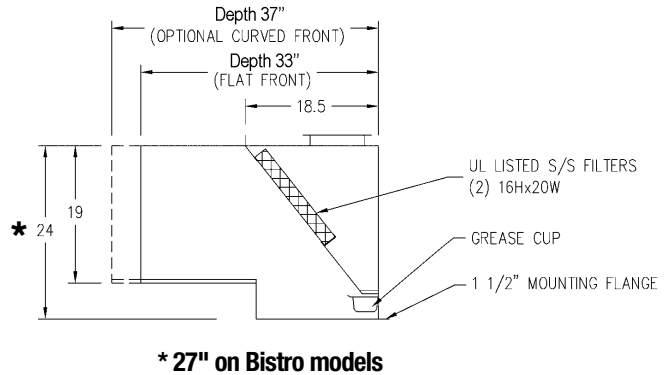
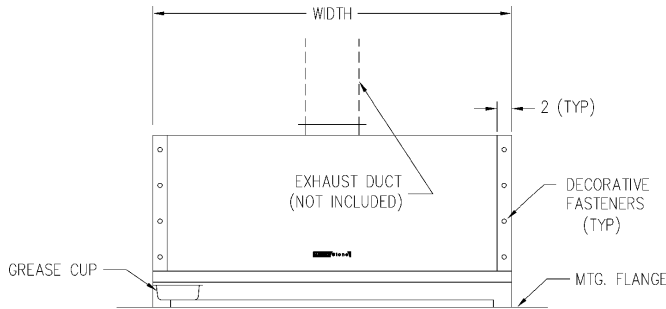
Toll Free (800) 988-8103
Tel (360) 650-1111
Fax (360) 650-1166

info@woodstone-corp.com or visit www.woodstone-corp.com



Call Wood Stone for exact dimensional and installation specifications of all Gaylord hoods for various MS and Fire Deck Series oven sizes. For specifications on Exhausto fans for Wood Stone exhaust hoods, see the **Exhausto Spec Sheet**.

Job Name	
Model	SG-BDL-0-WS
Item#	



Oven Model Number

		WS-BL-3030	WS-BL-4343 & WS-BL-4355 (EXTERNAL TRANSITION)	WS-BL-4343 & WS-BL-4355 (INTERNAL TRANSITION)	WS-MS-4	WS-MS-5	WS-MS-6	WS-MS-7	WS-MS-8	WS-FD-6045	WS-FD-8645	WS-FD-9660	WS-FD-9690
DEPTH	Width	29.5"	42.5"	42.5"	30"	47"	47"	54"	63"	50"	72"	72"	72"
	Flat Front	42"	42"	34"	33"	38"	38"	33"	33"	33"	33"	33"	33"
	Curved Front	46"	46"	38"	37"	42"	42"	42"	37"	37"	37"	37"	37"
	Required CFM	440	625	625	450	685	685	700	920	730	1050	1050	1050
	Duct Size	6"x6"	7"x7"	7"x7"	6"x6"	7.5"x7.5"	7.5"x7.5"	7.5"x7.5"	8.5"x8.5"	7.5"x7.5"	9"x9"	9"x9"	9"x9"
	Static Pressure	0.80"	0.80"	0.80"	0.80"	0.80"	0.80"	0.80"	0.80"	0.80"	0.80"	0.80"	0.80"
	Weight in Lbs.	125	175	165	125	175	175	225	300	225	350	350	350



An ongoing program of product improvement may require us to change specifications without notice.
Revised August 2008

WOOD STONE CORPORATION
1801 W. Bakerview Rd.
Bellingham, WA 98226 USA

Toll Free (800) 988-8103
Tel (360) 650-1111
Fax (360) 650-1166

info@woodstone-corp.com or visit www.woodstone-corp.com