

DESIGNER SERIES

Stone Hearth Oven



Job Name	
Model	WS-DS-7248
Item#	

DESIGNER OPTIONS

- Designer or standard sizes
- Designer or standard shapes
- Designer Modules including:
 - Stone Hearth Oven
 - Gas Charbroiler
 - Wood Charbroiler
 - Rotisserie
 - Pita/Flatbread Oven
- Viewing Windows:
(typical dimensions: 300 mm x 510 mm)
- Multiple flame location choices
- Custom Oven-Mounted Exhaust Hood
- Transport/Rigging Casters
- Configured for Wood Burning
- **Note:** Wood burning models must be vented for solid fuel.
- Prepared for facade application
- Designer Finishes
- Shelves and Pan Rails

Wood Stone's Designer Series Stone Hearth Oven provides Wood Stone's legendary performance and reliability in a flexible package offering unparalleled possibilities for those desiring a customized oven to fit their needs.

The foundation of the Designer Series is its multi component modular construction. This allows the capability to integrate a variety of options such as additional oven openings, viewing windows, and oven mounted Charbroilers.

The Designer Series utilizes Wood Stone's signature 100 mm thick, single piece, monolithic cast ceramic floor for superior heat retention and durability. The stone hearth oven modules also integrate a 47,000 BTU, thermostatically controlled infrared burner mounted under the floor which ensures constant floor temperatures.

The insulated wall and ceiling panels are made with a 80 mm thick cast ceramic. The dense high-temperature ceramic formulation of the floor, wall and ceiling panels creates a "deep heat sink" within the chamber of the oven.

Designer Series ovens must be vented using a Type 1 exhaust hood constructed and installed in accordance with all relevant local and national codes. Additionally, Designer Series models with a -W in the model number must be vented as solid fuel appliances.



An ongoing program of product improvement may require us to change specifications without notice.
Revised July 2010

WOOD STONE CORPORATION

1801 W. Bakerview Rd.
Bellingham, WA 98226 USA

Tel +1(360) 650-1111
Fax +1(360) 650-1166

info@woodstone-corp.com or visit www.woodstone-corp.com

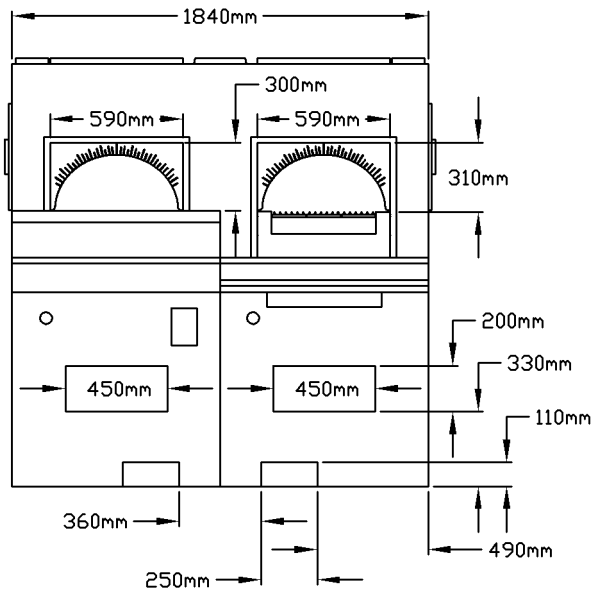


DESIGNER SERIES

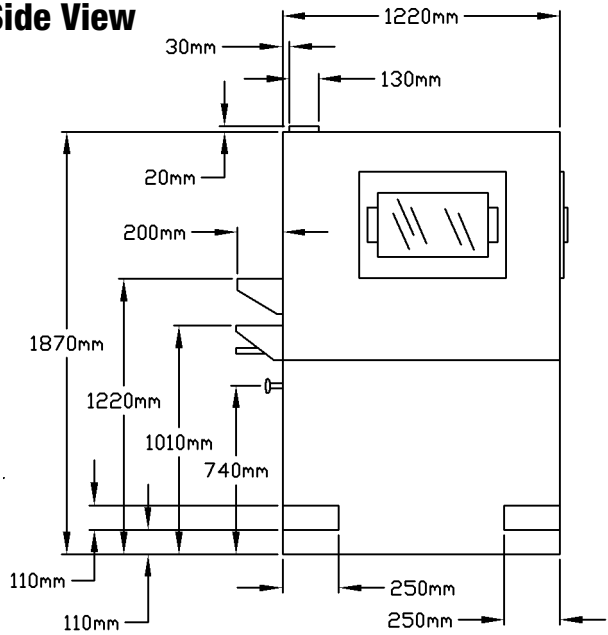
Stone Hearth Oven

Model
WS-DS-7248

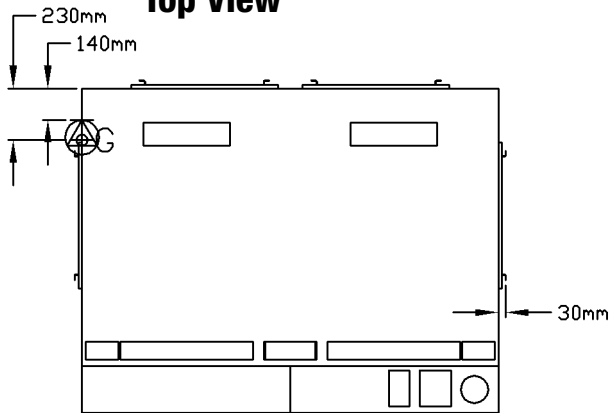
Front View



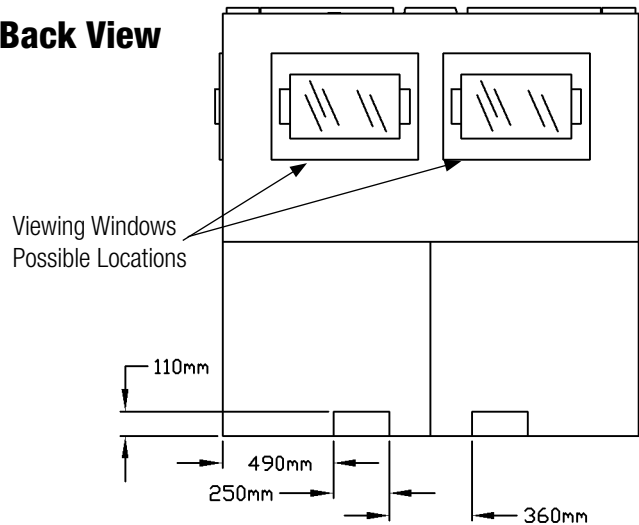
Side View



Top View



Back View



UTILITIES SPECIFICATIONS-VARY DEPENDING ON OVEN CONFIGURATION

- IR Burner(each)-47,000 Btu (13.76 kW max.)
- Radiant flame burner(each)-50,000 Btu (14.64 kW max.)
- Gas-fired Broiler(each)- 57,000 Btu (16.69 kW max.)

Electrical

Specify voltage, 5 Amp max.

Shipping Weight: 1905 Kg

VENTING INFORMATION

Designer Series ovens must be vented using a Type 1 exhaust hood constructed and installed in accordance with all relevant local and national codes. Additionally, Designer Series models with a -W in the model number must be vented as solid fuel appliances.

CLEARANCES

- side clearance: 25 mm
- back clearance: 25 mm
- top clearance: 305 mm



An ongoing program of product improvement may require us to change specifications without notice.
Revised July 2010

WOOD STONE CORPORATION

1801 W. Bakerview Rd.
Bellingham, WA 98226 USA

Tel +1(360) 650-1111
Fax +1(360) 650-1166

info@woodstone-corp.com or visit www.woodstone-corp.com