

## DESIGNER SERIES

Stone Hearth Oven



**Job Name**

**Model**

WS-DS-7248

**Item#**

### DESIGNER OPTIONS

- Designer or standard sizes
- Designer or standard shapes
- Designer Modules including:
  - Stone Hearth Oven
  - Gas Charbroiler
  - Wood Charbroiler
  - Rotisserie
  - Pita/Flatbread Oven
- Viewing Windows (typical dim: 12" x 20")
- Multiple flame location choices
- Custom Oven-Mounted Exhaust Hood
- Transport/Rigging Casters
- Configured for Wood Burning
 

**Note:** Wood burning models must be vented for solid fuel.
- Prepared for facade application
- Designer Finishes
- Shelves and Pan Rails

Wood Stone's Designer Series Stone Hearth Oven provides Wood Stone's legendary performance and reliability in a flexible package offering unparalleled possibilities for those desiring a customized oven to fit their needs.

The foundation of the Designer Series is its multi component modular construction. This allows the capability to integrate a variety of options such as additional oven openings, viewing windows, and oven mounted Charbroilers.

The Designer Series utilizes Wood Stone's signature 4-inch thick, single piece, monolithic cast ceramic floor for superior heat retention and durability. The stone hearth oven modules also integrate a 47,000 BTU, thermostatically controlled infrared burner mounted under the floor which ensures constant floor temperatures.

The insulated wall and ceiling panels are made with a 3-inch thick cast ceramic. The dense high-temperature ceramic formulation of the floor, wall and ceiling panels creates a "deep heat sink" within the chamber of the oven.

Designer Series ovens must be vented using a Type 1 exhaust hood constructed and installed in accordance with all relevant local and national codes. Additionally, Designer Series models with a -W in the model number must be vented as solid fuel appliances.



**Wood Stone**

An ongoing program of product improvement may require us to change specifications without notice.  
Revised July 2010

### WOOD STONE CORPORATION

1801 W. Bakerview Rd.  
Bellingham, WA 98226 USA

Toll Free (800) 988-8103

Tel (360) 650-1111

Fax (360) 650-1166

[info@woodstone-corp.com](mailto:info@woodstone-corp.com) or visit [www.woodstone-corp.com](http://www.woodstone-corp.com)

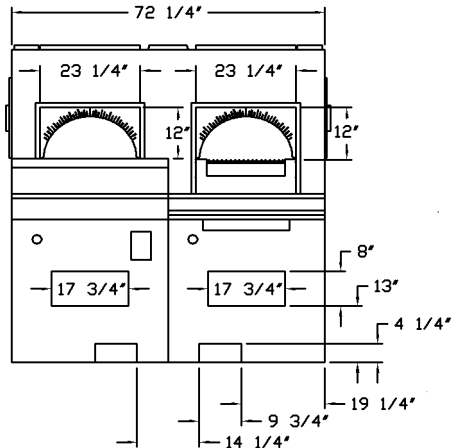


# DESIGNER SERIES

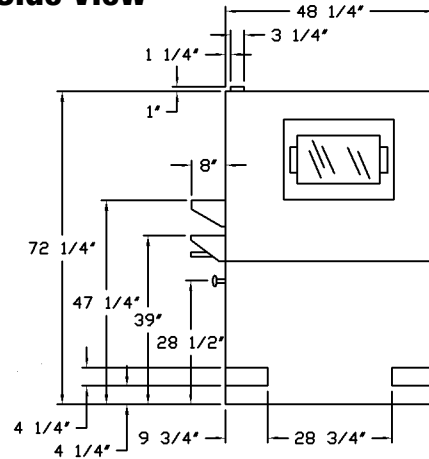
Stone Hearth Oven

Model  
**WS-DS-7248**

### Front View

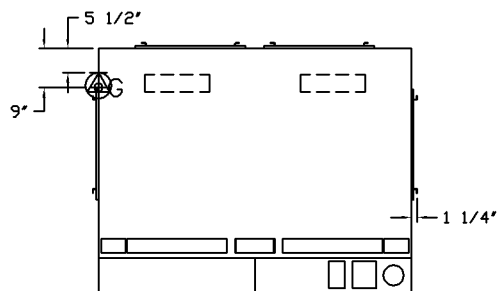


### Side View



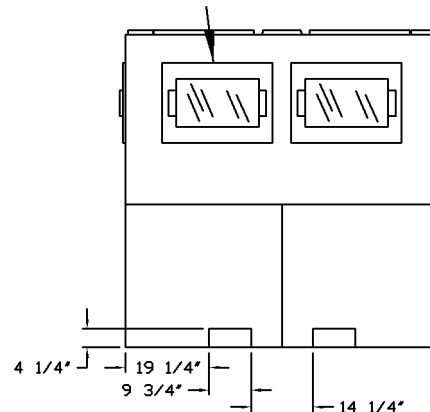
### Top View

- ⊕ Electrical Hook Up - Configurable Left or Right
- ⊕G 3/4" NPT Gas Inlet - Configurable Left or Right



### Back View

Viewing Windows (Possible Locations)



#### UTILITIES SPECIFICATIONS-VARY DEPENDING ON OVEN CONFIGURATION

IR Burner(each)-47,000 BTU  
 Radiant flame burner(each)-50,000 BTU  
 Gas-fired Broiler(each)- 57,000 BTU

**Electrical**  
 120 VAC, Less than 5A

**CLEARANCES**  
 side clearance: 1 inch  
 back clearance: 1 inch  
 top clearance: 12 inches

#### VENTING INFORMATION

Designer Series ovens must be vented using a Type 1 exhaust hood constructed and installed in accordance with all relevant local and national codes. Additionally, Designer Series models with a -W in the model number must be vented as solid fuel appliances.

**Shipping Weight: 4,200 lbs.**



An ongoing program of product improvement may require us to change specifications without notice.  
 Revised July 2010

**WOOD STONE CORPORATION**  
 1801 W. Bakerview Rd.  
 Bellingham, WA 98226 USA

Toll Free (800) 988-8103  
 Tel (360) 650-1111  
 Fax (360) 650-1166

[info@woodstone-corp.com](mailto:info@woodstone-corp.com) or visit [www.woodstone-corp.com](http://www.woodstone-corp.com)