



# OVEN BROILER DRAWER

Wood-Fired



WS-FD-8645 shown with wood fired Oven Broiler Drawer.

<b>Job Name</b>	
<b>Model</b>	
<b>Item#</b>	
<b>Fuel Type</b>	<b>Wood-Fired</b>

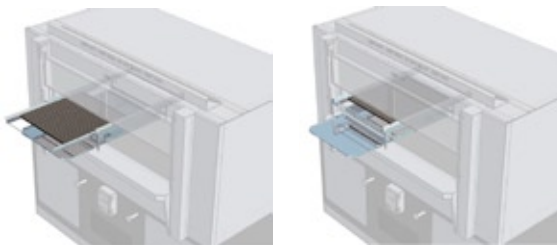
Wood Stone's Oven Broiler Drawer opens up even more possibilities for your versatile Fire Deck 8645 stone hearth oven. The broiler cooking surface is 24 inches by 24 inches (61 cm by 61 cm), providing 4 square feet, (370 sq. cm) of grilling space. The Oven Broiler Drawer is easily installed into the Fire Deck 8645. The grill rack incorporates a sliding drawer mechanism that allows it to be pulled forward for easy loading and unloading of the grill. A small charcoal fire is built in the tray beneath the grill. This tray is removable to simplify ash disposal. The unit also comes with a removable drip tray which extends over the front mantle of the oven. The entire oven broiler drawer can also be easily removed from the oven to maximize oven space when the oven broiler is not needed.

The oven broiler drawer should be used on Fire Deck 8645 models that are intended for use with solid fuel:

**WS-FD-8645-RFG-(L or R)-IR-W, or WS-FD-8645-W-IR**

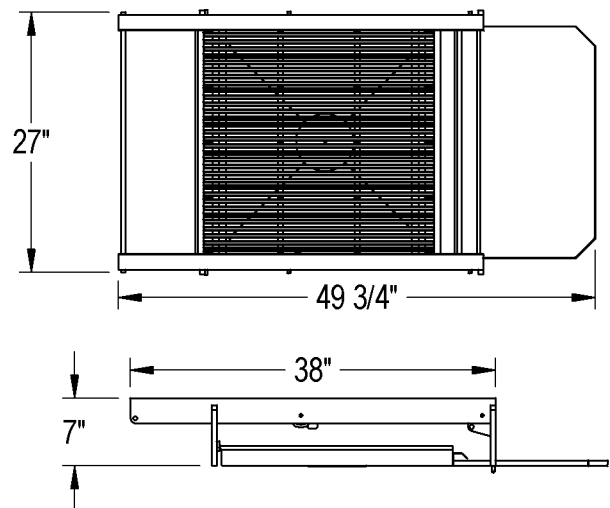
The oven should be vented as a solid fuel appliance in accordance with applicable local and national codes.

A narrower version is available upon request.



Shown extended.

Shown retracted.



An ongoing program of product improvement may require us to change specifications without notice.  
Revised April 2008

**WOOD STONE CORPORATION**  
1801 W. Bakerview Rd.  
Bellingham, WA 98226 USA

Toll Free (800) 988-8103  
Tel (360) 650-1111  
Fax (360) 650-1166

[info@woodstone-corp.com](mailto:info@woodstone-corp.com) or visit [www.woodstone-corp.com](http://www.woodstone-corp.com)

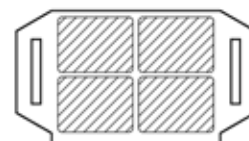
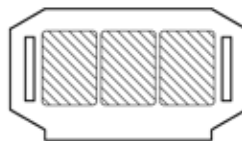
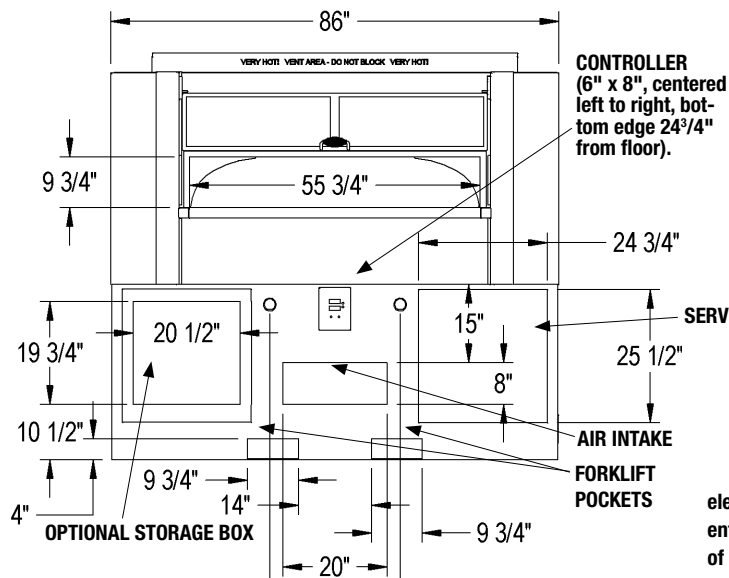


# FIRE DECK 8645

Stone Hearth, Multi-Fuel, Baking and Roasting Oven

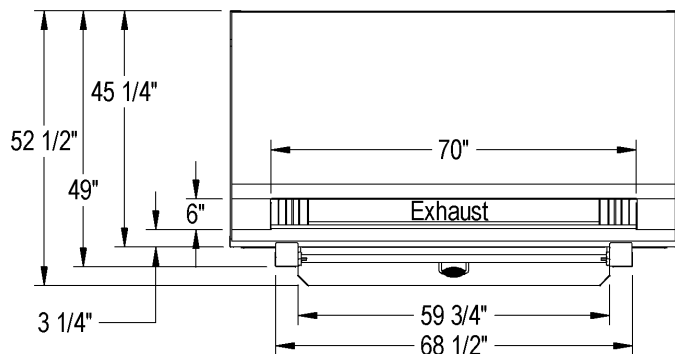
Model  
WS-FD-8645-RFG

## Front View

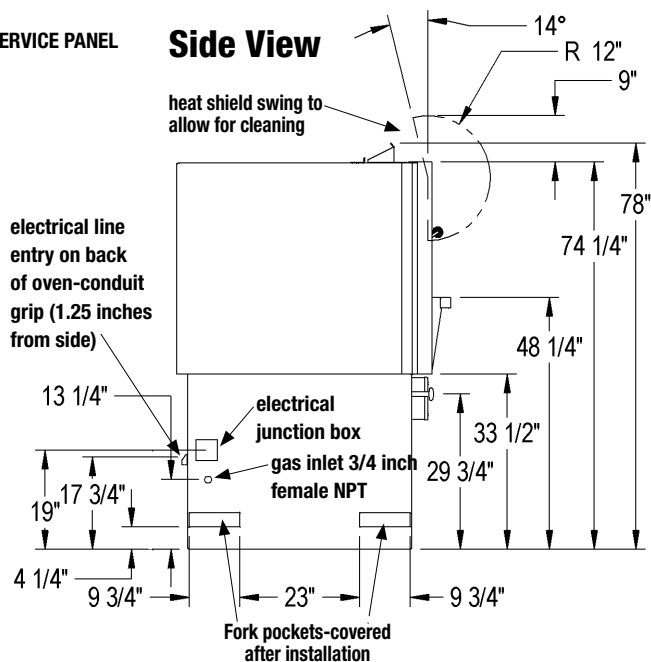


Graphic representations of oven interior showing possible arrangements of 3 and 4 full-sized sheet pans (18 x 26) and possible locations of Radiant Flame Burners

## Top View



## Side View



### UTILITIES REQUIRED

- 120 VAC/ 4 AMP electrical connection
  - 220,000 BTU Natural Gas supply  
OR  
200,000 BTU Propane (LP) supply
- The oven's gas inlet is 3/4" N.P.T. Female

### VENTING INFORMATION

Intended for installation with a Type 1 exhaust hood constructed and installed in accordance with all relevant local and national codes.

**Unit Shipping Weight: 4,500 lbs.**

Guide to Fire Deck Model #s	Underfloor IR Burner	Left-side Flame Burner	Right-side Flame Burner	Wood Fire Optional	Wood Fire Mandatory	Natural Gas	Liquid Propane
	WS-FD-8645-RFG-L/R-IR	X	X	X			NG
WS-FD-8645-RFG-L-IR	X	X		-W		NG	LP
WS-FD-8645-RFG-R-IR	X		X	-W		NG	LP
WS-FD-8645-W-IR	X				X	NG	LP
WS-FD-8645-W					X		



**WoodStone**

An ongoing program of product improvement may require us to change specifications without notice.  
Revised April 2008

### WOOD STONE CORPORATION

1801 W. Bakerview Rd.  
Bellingham, WA 98226 USA

Toll Free (800) 988-8103

Tel (360) 650-1111  
Fax (360) 650-1166

info@woodstone-corp.com or visit [www.woodstone-corp.com](http://www.woodstone-corp.com)