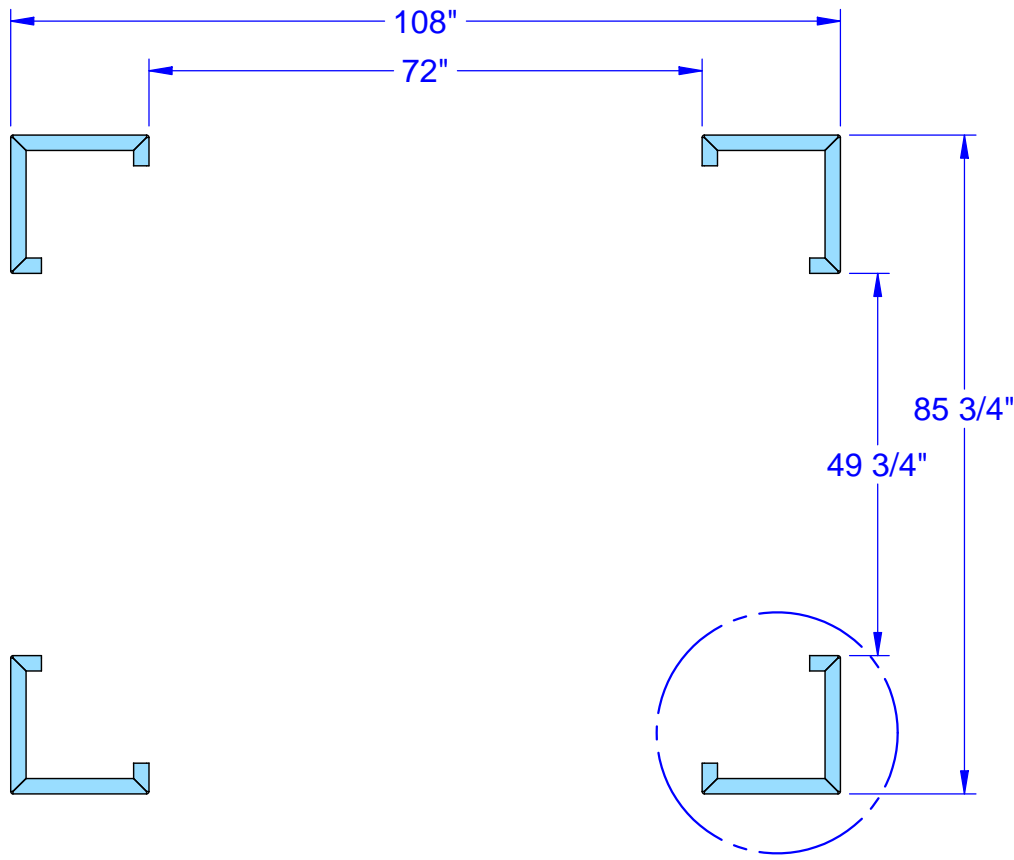
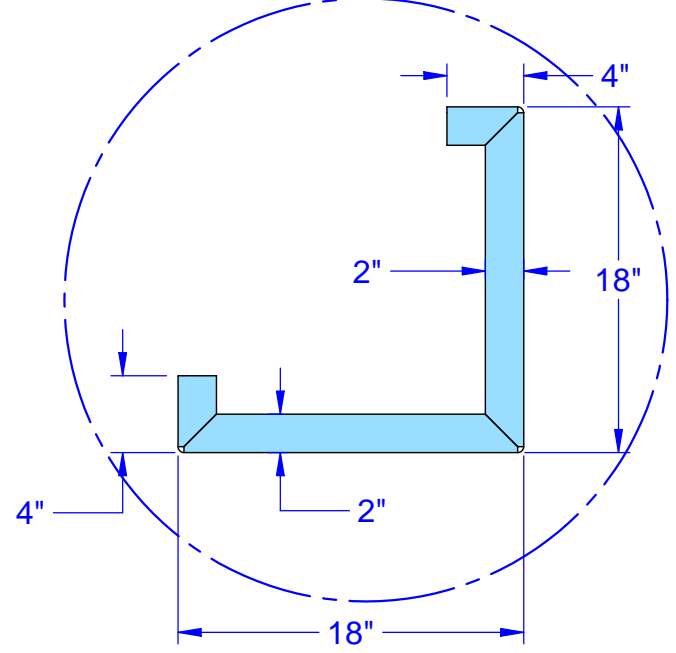


Caution: Protect floor when using transport casters.

Contact Area of Oven Stand	302.81	in ²
	2.10	ft ²
Oven Weight	11,500	lb
PSF Floor Loading of Oven Stand	5,469	lb/ft ²
PSI Floor Loading of Oven Stand	37.98	lb/in ²



DETAIL A



Oven's Contact Area with Floor **A**

DIMENSIONS ARE IN INCHES
 LINEAR TOLERANCES ±1/4"
 UNLESS NOTED OTHERWISE

THE INFORMATION CONTAINED IN THIS DRAWING IS THE SOLE PROPERTY OF WOOD STONE CORPORATION
 ANY REPRODUCTION OR USE IN PART OR AS A WHOLE WITHOUT THE WRITTEN PERMISSION OF WOOD STONE IS PROHIBITED



WS-FD-11290 - Fire Deck Stone Hearth Oven
Foot Print

SHEET	1 of 1	REV	0
BY:	wadeb		
DATE	10/22/07		